

Shades SD 21 - SD 150

Made of hot-pressed glassfibre reinforced polyester material, colour light grey RAL 7032.

Furhter details concerning the material and ist characteristics are listed in the specification sheet entitled "Technical Data for Enclosures".

Options:

- GO antistatic to avoid electrostatic charges according to EN IEC 60079-0

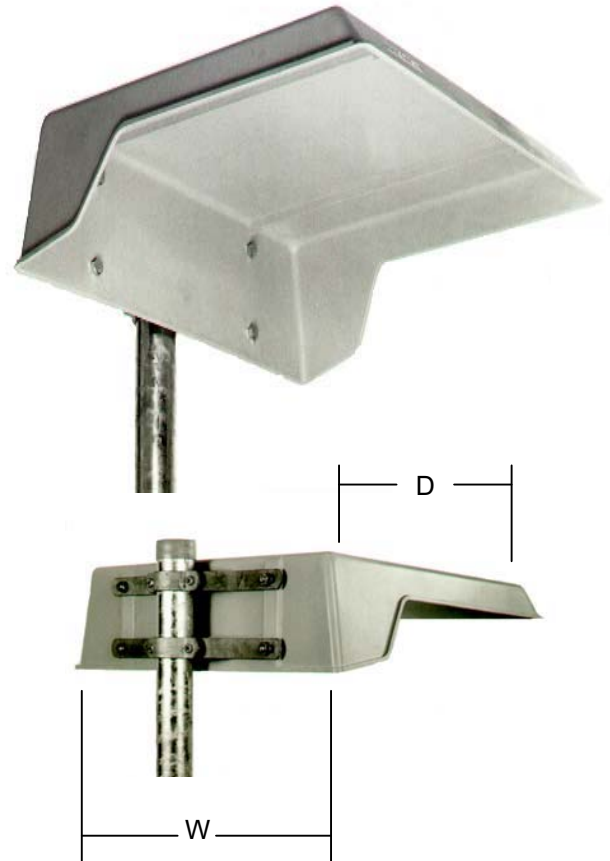
1 Application

Simple shielding of enclosures, instruments and fittings providing protection against:

- Sun light
- Dirt accumulation
- Exposure to atmospheric conditions

2 Features

- Reduces the surface temperature of instruments or enclosure
- Minimizes instrument drift



3 Types , Dimensions, Fastening

	Type	W x D(mm)	Fastening
	SD 21	191 x 365	1x RS 21*
	SD 50	570 x 570	2x RS 50*
	SD 100	630 x 570	2x RS 100*
	SD 150	690 x 570	2x RS 150*
	SD 150Q	990 x 570	2x RS 150 Q*

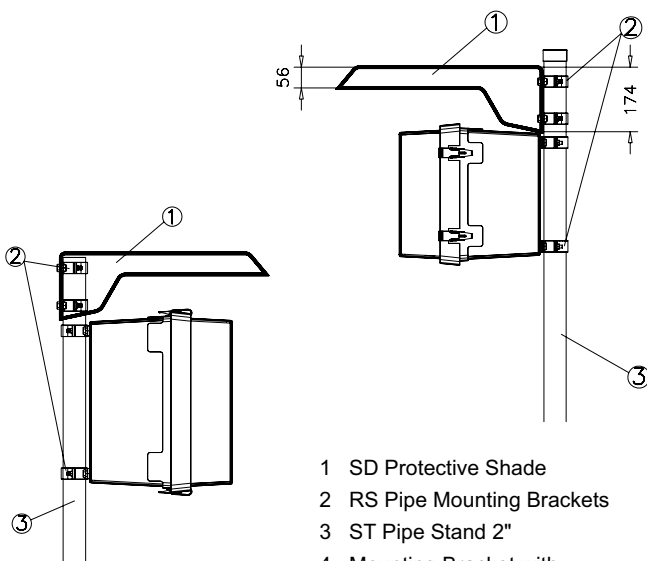
*in case of wall mounting with 4 bolts M10 (not supplied with the shade)

Shades SD 21 - SD 150

4 Application and Mounting Accessories

4.1 Enclosures mounted under Shades Type SD 50....150

Sensitive electric instruments or electronic components are mounted in an enclosure with a shade providing protection from the effects of direct sunlight.



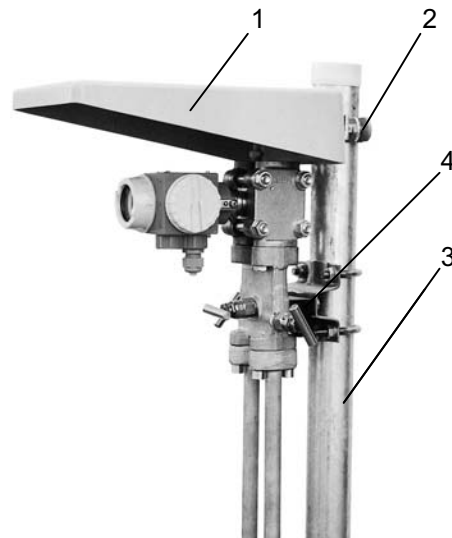
- 1 SD Protective Shade
- 2 RS Pipe Mounting Brackets
- 3 ST Pipe Stand 2"
- 4 Mounting Bracket with 2 pcs. 2" U-bolts

- The shade can be installed between the enclosure and the pipe stand
Advantage: adjustable in height
- The shade can be mounted behind the pipe stand.

Shade Type	Suitable for enclosure
SD 50	MULTIBOX 25
	MULTIBOX 48
SD 100	MULTIBOX 60
	MULTIBOX 70
	MULTIBOX 100
	MULTIBOX 25 horizontally mounted
	MULTIBOX 48 horizontally mounted
SD 150	MULTIBOX 80
	MULTIBOX 150
	MULTIBOX 170
	MULTIBOX 60 horizontally mounted
	MULTIBOX 70 horizontally mounted
	MULTIBOX 100 horizontally mounted
SD 150 Q	MULTIBOX 80 horizontally mounted
	MULTIBOX 150 horizontally mounted
	MULTIBOX 170 horizontally mounted

4.2 Instruments under Shade SD 21

Sensitive instruments and fittings that require protection from atmospheric corrosion can be mounted directly under the shade by means of a mounting set.



4.3 Shade, Side and Rear Protection

This design is particularly suited for desert areas. By installing additional rear and side panels sensitive components can be protected from the effects of direct sunlight.

