

GE Sensing

Key Benefits

- Multivariable vortex flowmeter for measuring volumetric flow, temperature, pressure, density, and mass flow using a single meter
- Measures most gases, liquids and steam without the need to recalibrate
- Advanced design and digital signal processing for vibration isolation
- Cost effective, accurate and reliable meter for volumetric and mass flow measurement for pipe sizes from ½ in to 8 in (15 mm to 200 mm)
- Energy management through accurate measurement of both temperature and mass flow simultaneously
- Remote monitoring and integration to DCS using HART® and Modbus® communication protocols
- Significant cost savings through reduced installation costs, wiring runs and services support using MV meter with no moving parts
- FM USA/Canada-approved, explosion-proof and dust ignition-proof

Applications

- Ideal for high temperature and high velocity steam
- Power Generation—steam applications
- Industrial—HVAC, district energy management
- Commercial—building, campus and facility energy management
- Oil & gas—allocation of natural gas
- Petrochemical—mass balancing, reaction processes heating

PanaFlow™ MV80

In-line Multivariable
Flowmeter for Mass,
Temperature, and
Pressure



GE Sensing

Unique Multivariable Design

GE Sensing's PanaFlow MV80 In-line Multivariable Mass Vortex flowmeter is the next generation vortex meter. PanaFlow MV80's multivariable design consists of a vortex shedding velocity sensor, an RTD temperature sensor and a solid state pressure transducer that measures the mass flow rate of steam, gases and liquids.

Other meter types use external process measurements to calculate mass flow. The temperature and pressure devices are typically not installed in the same location as the flowmeter. Process conditions can vary greatly between the two locations, causing inaccurate mass flow readings. PanaFlow MV80 measures velocity, temperature and pressure at the same location, which provides more accurate process measurement.

Simple and Cost Effective

Integrating pressure and temperature into the vortex flowmeter simplifies system complexity and helps minimize initial capital costs, as well as reduce the installation costs. There is no need to purchase additional instrumentation to monitor pressure and temperature since the PanaFlow MV80 will output all parameters to your data acquisition system.

The product line is available with a wide range of options and meter configurations to meet your specific application requirements.

Portfolio of Flowmeter Solutions

GE Sensing is committed to providing customers with the best technologies for their flow measurement needs. PanaFlow MV80 is the newest addition to the PanaFlow family of flowmeters, providing effective solutions for smaller pipe sizes for a variety of applications. GE Sensing offers the PanaFlow MV80 in a number of configurations to best suit your application measurement needs.

PanaFlow MV80-VTP

The MV80-VTP offers flow computer functionality in a compact field device. This multivariable instrument incorporates temperature and pressure sensors to provide an instantaneous reading of compensated mass flow rate of gases, liquids and steam. In addition to outputs for totalized mass and alarm settings, the field-configurable electronics deliver up to three analog 4-20 mA outputs of five process measurements, including volumetric flow rate, mass flow rate, pressure, temperature and density.

PanaFlow MV80-VT

The MV80-VT integrates a precision 1000 ohm platinum RTD temperature sensor used to calculate and output a compensated mass flow reading. This device is typically used to measure flow rates of saturated steam.

PanaFlow MV80-V

The MV80-V delivers a direct reading of volumetric flow rate—generally the most cost-effective solution for liquid flow monitoring—in applications ranging from general water flows to hydrocarbon fuel flow measurement.

PanaFlow MV80-EM

The MV80-EM energy monitoring option enables real time-of-flight diffraction calculation of energy consumption for a facility or process. The meter can be programmed to measure steam, hot water or chilled water. This option uses the MV80-EM flowmeter to monitor one side of the process, either sent or return, and uses the input from a second separate temperature sensor on the opposite leg of the process to calculate the change in energy. Selectable energy units include BTU, joules, calories, Watt-hours, Megawatt-hours and Horsepower-hours. The local or remote electronics indicate two temperatures, delta T, mass total and energy total.

PanaFlow MV80 Specifications

Performance

Accuracy

Mass flow rate accuracy for gas and steam based on 50-100% of pressure range

PanaFlow MV80 Accuracy Flowmeter		
Process Variables	Liquids	Gas and Steam
Volumetric Flow Rate	± .7% of Rate	± 1% of Rate
Mass Flow Rate	± 1% of Rate	± 1.5% of Rate
Temperature	± 2°F (± 1°C)	± 2°F (± 1°C)
Pressure	± .3% of Full Scale	± .3% of Full Scale
Density	± .3% of Reading	± .5% of Reading

Repeatability

Mass Flow Rate	± 0.2% of rate
Volumetric Flow Rate	± 0.1% of rate
Temperature	± 0.2°F (± 0.1°C)
Pressure	± 0.05% of full scale
Density	± 0.1% of reading

Stability Over 12 Months

Mass Flow Rate	± 0.2% of rate
Volumetric Flow Rate	negligible
Temperature	± 0.9°F (± 0.5°C)
Pressure	± 0.1% of full scale
Density	± 0.1% of reading

Response Time

Adjustable from 1 to 100 seconds

Operating

Process and Ambient Temperature

Process Standard Temperature (code ST):	-40 to 500°F (-40 to 260°C)
Process High Temperature (code HT):	Up to 750°F (400°C)
Ambient Operating:	-5 to 185°F (-20 to 85°C)
Ambient Storage:	-40 to 185°F (-40 to 85°C)

Pressure Transducer Ratings			
Full Scale Operating Pressure		Max. Over-Range Pressure	
psia	bara	psia	bara
30	2	60	4
100	7	200	14
300	20	600	40
500	35	1000	70
1500	100	2500	175

Power Requirements

Model MV80-V: 12-36 VDC loop powered
 Model MV80-VTP, DC option: 12-36 VDC, 100 mA max
 Model MV80-VTP, AC option: 85-240 VAC, 50/60 Hz, 1 Watt

Display

Alphanumeric 2 line x 16 character LCD digital display

Six pushbuttons for full field configuration

Pushbuttons can be operated with magnetic wand without removal of enclosure covers

Display can be mounted in 90° intervals for better viewing

Output Signals

Analog: 4-20 mA, loop powered for volumetric meters

Alarm: Solid state relay, 40 VDC

Totalizer Pulse: 50 millisecond, 40 VDC

Volumetric: One analog, one totalizer pulse, HART

Multivariable: Up to three analog signals, three alarms, one totalizer pulse, HART

Multivariable option: Modbus process monitoring

Physical

Wetted Materials

316L stainless steel, plus:

- PTFE-based thread sealant on models with pressure transducer
- PTFE packing on standard temperature models with packing gland
- Graphite-based packing on high temperature models with packing gland

FM USA/Canada Approvals

Explosion-proof for Class I, Division 1, Groups B, C & D
 Dust-ignitionproof for Class II/III, Division 1, Groups E, F & G

Type 4x and IP66

T6 at Tamb = 140°F (60°C)

PanaFlow MV80 Specifications

Sizing Considerations

Condition	Piping Conditions	
	Pipe Diameters, D	
	Upstream	Downstream
One 90° elbow before meter	10D	5D
Two 90° elbows before meter	15D	5D
Two 90° elbows before meter, out of plane	25D	5D
Reduction before meter	10D	5D
Expansion before meter	20D	5D
Partially open valve	25D	5D

Velocity Range

Maximum velocity, liquid: 30 feet/sec (9 meters/second)

Minimum velocity, liquid: 1 foot/sec (.3 meters/second)

Maximum velocity, gas or steam: 300 feet/sec (90 meters/second)

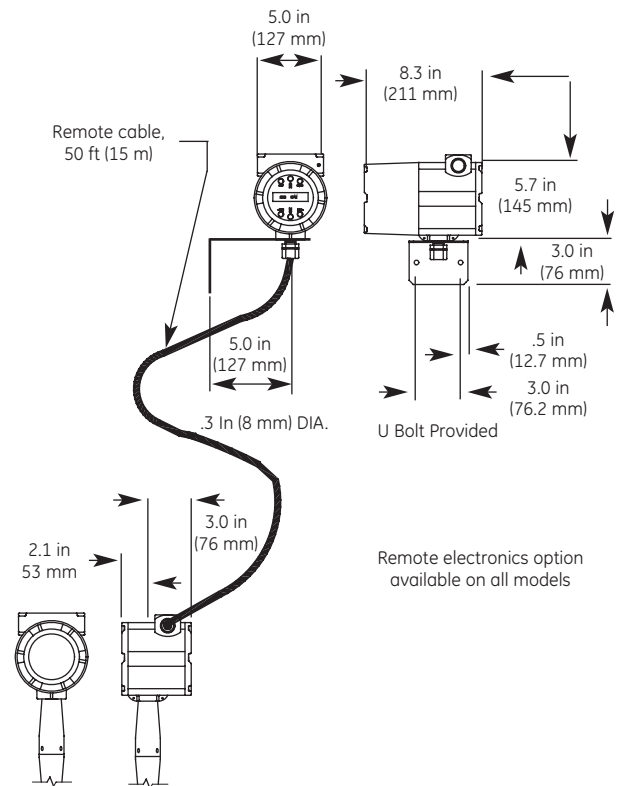
Minimum velocity, gas or steam feet/sec (meters/second):

$$\frac{5}{\sqrt{\text{density (lb/ft}^3\text{)}}} \qquad \frac{6.1}{\sqrt{\text{density (kg/m}^3\text{)}}}$$

Consult the PanaFlow MV Sizing Program for easy calculation of flow range.

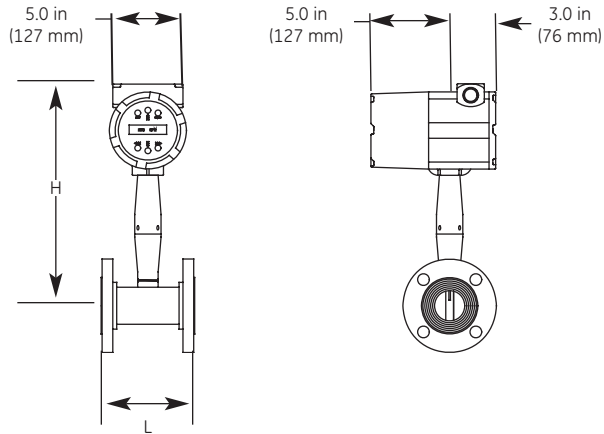
Water Minimum and Maximum Flow Rates									
Rate	Nominal Pipe Size (in)								
	0.5	0.75	1	1.5	2	3	4	6	8
GPM min	0.9	1.4	2.2	5.5	9.2	21	36	81	142
GPM max	22	40	67	166	276	618	1076	2437	4270
	Nominal Pipe Size (mm)								
	15	20	25	40	50	80	100	150	200
M ³ /hr min	0.2	0.3	0.5	1.3	2.1	4.7	8.1	18	32
M ³ /hr max	5	9	15	38	63	140	244	554	970

Dimensional Outline: Remote Electronics Option

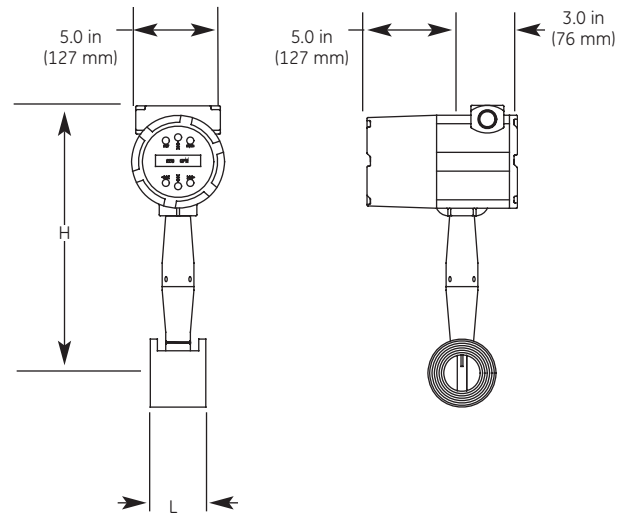


PanaFlow MV80 Specifications

Dimensional Outline: In-line Flanged Models



Dimensional Outline: Wafer Models



Flow Meter Nominal Size	L	H	WEIGHT		
			ANSI 150 (PN 16)	ANSI 300 (PN 40)	ANSI 600 (PN 64)
1/2 in (15 mm)	4.6 in (116 mm)	14.8 in (376 mm)	12 lb (5.5kg)	12.5 lb (5.7 kg)	13 lb (5.9 kg)
3/4 in (20 mm)	4.8 in (122 mm)	15 in (381 mm)	13 lb (5.9 kg)	14 lb (6.4 kg)	14.5 lb (6.6 kg)
1 (25 mm)	5 in (126 mm)	15 in (381 mm)	13.4 lb (6.1 kg)	16.3 lb (7.4 kg)	16.3 lb (7.4 kg)
1-1/2 in (40 mm)	5.5 in (140 mm)	15 in (384 mm)	14.5 lb (6.6 kg)	22.7 lb (10.3 kg)	24.6 lb (11.2 kg)
2 in (50 mm)	6.0 in (153 mm)	15.3 in (389 mm)	19.4 lb (8.8 kg)	26.8 lb (12.2 kg)	33.2 lb (15.1 kg)
3 in (80 mm)	7.0 in (175 mm)	15.8 in (401 mm)	27.5 lb (12.5 kg)	39.4 lb (17.9 kg)	56.1 lb (25.5 kg)
4 in (100 mm)	8.0 in (203 mm)	16.2 in (411 mm)	43.3 lb (19.7 kg)	60.3 lb (27.4 kg)	96 lb (43.6 kg)
6 in (150 mm)	9 in (229 mm)	17.3 in (439 mm)	48.4 lb (22.0 kg)	96 lb (43.6 kg)	178 lb (80.8 kg)
8 in (200 mm)	10.5 in (267 mm)	18.2 in (462 mm)	71 lb (32.2 kg)	148 lb (67.4 kg)	299 lb (136 kg)

Add 11 lb (5 kg) for remote electronics

Flow Meter Nominal Size	L	H	WEIGHT
1 in (25 mm)	2.8 in (71 mm)	14.8 in (376 mm)	10.1 lb (4.6 kg)
1-1/2 in (40 mm)	2.8 in (71 mm)	15.1 in (384 mm)	11.9 lb (5.4 kg)
2 in (50 mm)	3.0 in (76 mm)	15.3 in (389 mm)	14.1 lb (6.4 kg)
3 in (80 mm)	4 in (102 mm)	15.8 in (401 mm)	22.7 lb (10.3 kg)
4 in (100 mm)	4.7 in (119 mm)	16.2 in (411 mm)	33 lb (15 kg)

Add 11 lb (5 kg) for remote electronics

PanaFlow MV80 Specifications

**Typical Saturated Steam Minimum and Maximum
Flow Rates (lb/hr)**

Pressure	Nominal Pipe Size (in)								
	0.5	0.75	1	1.5	2	3	4	6	8
5 psig	6.5	12	20	49	82	183	318	722	1264
	52	122	265	650	1087	2431	4231	9594	16806
100 psig	15	27	46	112	187	419	728	1652	2893
	271	639	1386	3405	5690	12729	22156	50233	87998
200 psig	20	37	62	151	253	565	983	2229	3905
	493	1163	2525	6203	10365	23184	40354	91494	160279
300 psig	24	45	74	182	304	680	1184	2685	4704
	716	1688	3664	9000	15040	33642	58556	132763	232575
400 psig	28	51	85	209	349	780	1358	3079	5393
	941	2220	4816	11831	19770	44222	76971	174516	305717
500 psig	31	57	95	233	389	870	1514	3433	6014
	1170	2760	5988	14711	24582	54987	95710	217001	380148

**Typical Saturated Steam Minimum and Maximum
Flow Rates (kg/hr)**

Pressure	Nominal Pipe Size (mm)								
	15	20	25	40	50	80	100	150	200
0 barg	3	5	8	19	32	72	126	286	500
	18	42	91	224	375	838	1459	3309	5797
5 barg	6	11	18	45	75	167	290	658	1153
	95	224	485	1192	1992	4455	7754	17581	30799
10 barg	8	15	24	59	99	222	387	877	1537
	168	397	862	2118	3539	7915	13777	31237	54720
15 barg	9	17	29	71	119	266	463	1050	1840
	241	569	1236	3036	5073	11347	19750	44779	78444
20 barg	11	20	33	81	136	304	529	1199	2100
	314	742	1610	3956	6611	14787	25738	58355	102226
30 barg	13	24	40	99	165	369	642	1455	2548
	463	1092	2370	5822	9729	21763	37880	85884	150451

**Typical Air Minimum and Maximum Flow Rates (SCFM)
Air at 70°F**

Pressure	Nominal Pipe Size (in)								
	0.5	0.75	1	1.5	2	3	4	6	8
0 psig	1.8	3	5	13	22	50	87	198	347
	18	41	90	221	369	826	1437	3258	5708
100 psig	5	9	15	38	63	141	245	555	972
	138	325	704	1730	2890	6466	11254	25515	44698
200 psig	7	13	21	52	86	193	335	761	1332
	258	609	1322	3248	5427	12140	21131	47911	83931
300 psig	8	15	25	63	104	234	407	922	1615
	380	896	1944	4775	7978	17847	31064	70431	123375
400 psig	10	18	29	72	120	269	467	1060	1857
	502	1183	2568	6309	10542	23580	41043	93057	163000
500 psig	11	20	33	80	134	300	521	1182	2071
	624	1472	3195	7849	13115	28034	51063	115775	203000

**Typical Air Minimum and Maximum Flow Rates (nm³/hr)
Air at 20°C**

Pressure	Nominal Pipe Size (mm)								
	15	20	25	40	50	80	100	150	200
0 barg	3	5	9	21	36	79	138	313	549
	28	66	142	350	584	1307	2275	5157	9034
5 barg	7	13	21	52	87	194	337	764	1339
	165	390	847	2080	3476	7775	13533	30682	53749
10 barg	9	17	29	70	117	262	457	1035	1814
	304	716	1554	3819	6381	14273	24844	56329	98676
15 barg	11	21	34	85	142	317	551	1250	2190
	442	1044	2265	5565	9299	20801	36205	82087	143801
20 barg	13	24	40	97	162	363	632	1434	2511
	582	1373	2979	7318	12229	27354	47612	107949	189105
30 barg	16	29	48	118	198	442	770	1745	3057
	862	2034	4414	10843	18119	40529	70544	159942	280187

Turndown

Turndown is application-dependent. Consult the PanaFlow MV Sizing Program for exact values. Turndown can exceed 100:1.

PanaFlow MV80 Ordering Information

Parent Number Code

MV80 In-line Multivariable Mass
Vortex Flowmeter

Feature 1: Multivariable Options

- V** Volumetric flowmeter for liquid, gas and steam
- VT** Velocity and temperature sensors
- VTP** Velocity, temperature and pressure sensors
- VT-EM** Energy output options
- VTP-EM** Energy options with pressure sensor

Feature 2: Flow Body

- 04** 1/2-inch Nominal Bore (15 mm)
- 06** 3/4-inch Nominal Bore (20 mm)
- 08** 1-inch Nominal Bore (25 mm)
- 12** 1.5-inch Nominal Bore (40 mm)
- 16** 2-inch Nominal Bore (50 mm)
- 24** 3-inch Nominal Bore (80 mm)
- 32** 4-inch Nominal Bore (100 mm)
- 48** 6-inch Nominal Bore (150 mm)
- 64** 8-inch Nominal Bore (200 mm)

Feature 3: Meter Body Material

- C** Carbon Steel
- S** 316 Stainless Steel
- H** Hastelloy

Feature 4: Process Connection

- 150** ANSI 150# Flange
- 300** ANSI 300# Flange
- 600** ANSI 600# Flange
- W** Wafer ANSI 600#
- 16** PN 16
- 40** PN 40
- 64** PN 64

Feature 5: Electronics Enclosure

- L** Type 4X Enclosure
- R (25)** Remote electronics Type 4X, 25 ft (8 m) cable
- R (50)** Remote electronics Type 4X, 50 ft (8 m) cable

Feature 6: Display Options

- DD** Digital Display and Programming Buttons
- ND** No Display

Feature 7: Input Power

- DC2** 12 to 36 VDC required on 2-wire (loop powered) meters with 1AHL only
- DC4** 12 to 36 VDC standard volumetric meter on 4-wire
- AC** 100-240 VAC, 50/60 Hz

Feature 8: Output

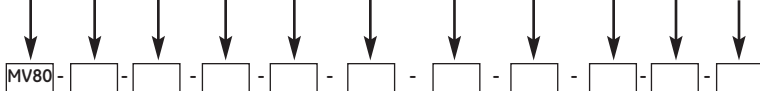
- 1AHL** Loop powered option—one analog output (4-20 mA), one pulse, HART communication protocol. Must use DC2 input power
- 1AM** One analog output (4-20 mA), one alarm, one pulse, MODBUS Communication Protocol
- 3AH** Three analog outputs (4-20 mA), three alarms, one pulse, HART (VT,VTP only)
- 3AM** Three analog outputs (4-20 mA), three alarms, one pulse, MODBUS (VT,VTP only)

Feature 9: Process Temperature Options

- ST** Standard process temperature -40° to 500°F (-40° to 260°C)
- HT** High process temperature 750°F (400°C)

Feature 10: Process Pressure

- P0** No Pressure Sensor
- P1** Maximum 30 psia (2 bara), Proof 60 psia (4 bara)
- P2** Maximum 100 psia (7 bara), Proof 200 psia (14 bara)
- P3** Maximum 300 psia (20 bara), Proof 600 psia (41 bara)
- P4** Maximum 500 psia (34 bara), Proof 1000 psia (64 bara)
- P5** Maximum 1500 psia (100 bara), Proof 2500 psia (175 bara)



GE
Sensing



©2007 GE. All rights reserved.
920-404B

All specifications are subject to change for product improvement without notice.
GE® is a registered trademark of General Electric Co. Other company or product
names mentioned in this document may be trademarks or registered trademarks
of their respective companies, which are not affiliated with GE.

www.gesensing.com